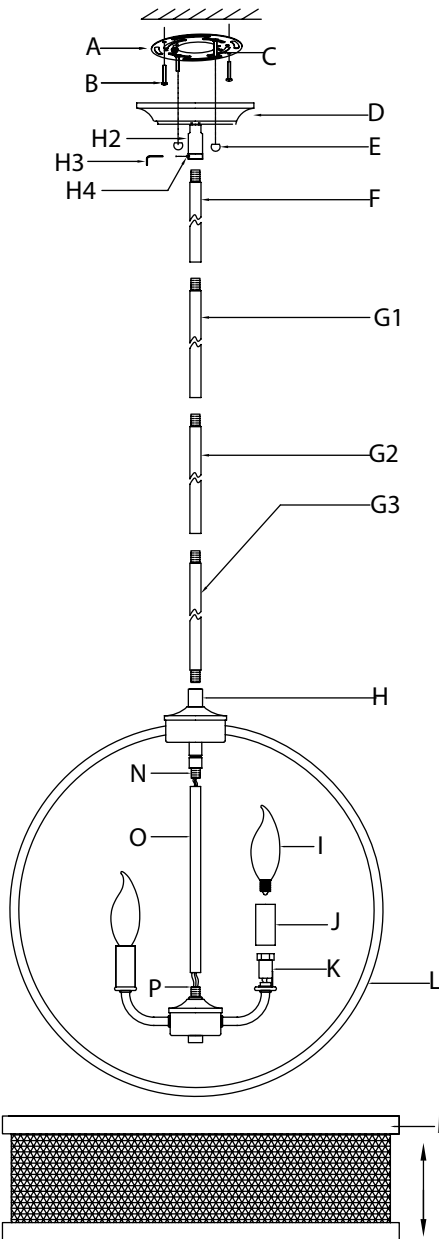


Assembly Instructions: 3167-4P (Colson)

IMPORTANT:

- ALL INSTALLATION WORK SHOULD BE DONE BY ACCREDITED PROFESSIONAL.
- SHUT OFF POWER SUPPLY AT FUSE OR CIRCUIT BREAKER!
- USE ONLY THE SPECIFIED BULBS. DO NOT EXCEED THE MAXIMUM WATTAGE!

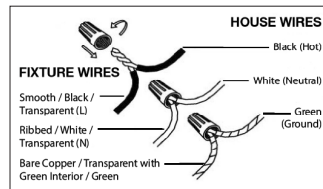
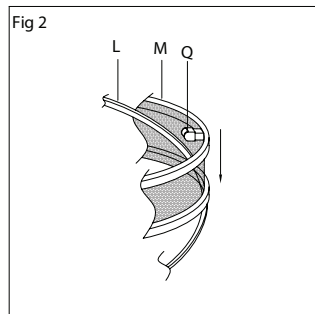
For Customer Service, contact the place of purchase.



PREPARING FOR INSTALLATION

Carefully remove all of the contents from the carton. See the important notes above. Shut off the power at the circuit breaker and completely remove the old fixture from the ceiling, including the old mounting strap.

From the parts bag remove the mounting strap assembly. Mounting strap (A) contains threaded holes. Two of mounting screws (C) should be attached to mounting strap (A). You may need to tighten the nuts that hold these screws in place. Place mounting strap (A) over the junction box so that mounting screws (C) are vertical, and in alignment with the hole locations on the fixture's canopy (D). Secure mounting strap (A) to the junction box with mounting screws (B) and a screwdriver. Tighten the screws securely.



ASSEMBLING THE FIXTURE

For adjusting the height of fixture, this fixture contains:

Three 12" rods (G) and one 6" rod (F). Each rod can be connected to another by twisting the threaded end of one into the opposite end of another. Each rod may also be used alone to connect the fixture body to the swivel (H2) on canopy (D). By measuring, decide the desired overall height of your fixture and determine how many rods are needed to achieve the desired height. Push the fixture's wires through each rod. Thread the bottom rod onto post (H) of the fixture's body. Pull the wires until taut and then connect the rods together as described above. If the the top rod cannot be threaded into swivel (H2), please use the hexagon wrench (H3) to loosen screw (H4).

CONNECTING THE WIRES

Have an assistant support the fixture's weight while completing the wiring. Cut away excess wire. Attach the fixture's wires to the power supply wires from the junction box. Connect black to smooth/black/transparent (L) wire; white to ribbed/white/transparent (N) wire; ground to ground (green or copper). Twist the ends of the wire pairs together, and then twist on a wire connector. Make sure all twists are in the same direction. If there is no ground wire (green or copper) from the junction box, locate ground screw on mounting strap (A) and wrap the fixture's ground wire around the green ground screw. Use a screwdriver to secure ground screw onto the mounting bracket/mounting strap. Tuck all wires neatly into the junction box.

FINISHING THE INSTALLATION

Push canopy (D) up to the ceiling and tightly thread nuts (E) onto the exposed threads of mounting screws (C).

Slide candle sleeves (J) over sockets (K). Install the bulbs (I - not included) into sockets (K) in accordance with the fixture's specifications. Do not exceed the maximum wattage. (Fig2): Shade (M) may be included with the fixture. If the shade is included, please check to see which side (top or bottom has the acrylic clip (Q) attached. Place shade (M) under the spherical arms (L) of the fixture and slide the shade up over the arm. Align the clips onto the spherical arms (L) and lower the shade so that the clips land on each arm.

Your installation is now complete. Turn on the power and test the fixture.

CLEANING TIPS

Treat the fixture gently! Regular cleaning will reduce the need for deep cleaning. For regular cleaning, turn off the light and wipe down the fixture with a clean lint-free cotton or microfiber cloth. Never spray cleaner directly onto the fixture.